

Catalog Number	
Notes	Type

FEATURES & SPECIFICATIONS

INTENDED USE

Ideal where high brightness and high illumination levels are required such as retail, industrial and warehouse applications.

ATTRIBUTES

Fixtures assembled with snap and screwed together components. Available in a variety of lengths and lamp configurations. Gripper-back design for superior strength and rigidity.

CONSTRUCTION

Constructed to comply with New York City electric code. Made in USA. Sturdy channel cover secured by quarter-turn latch for tool-less access to wireway. Screw-on endplates.

FINISH

Five-stage iron-phosphate pretreatment ensures superior paint adhesion and rust resistance. Finish is high-gloss baked white polyester.

ELECTRICAL SYSTEM

Thermally protected, resetting, Class P, HPF, UL listed, CSA Certified ballast is standard. Energy saving and electronic ballasts are sound rated A.

Fixture is suitable for damp locations. AWM, TFN or THHN wire used throughout, rated for required temperatures.

INSTALLATION

For unit or row installation, surface or suspended mounting. Channel connector furnished standard.

LISTING

UL Listed.

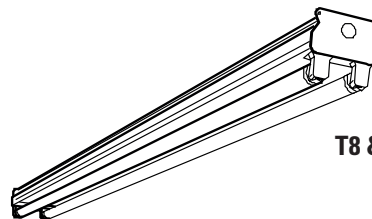
WARRANTY

Guaranteed for one year against mechanical defects in manufacture.

NOTE: Specifications subject to change without notice.

Heavy-Duty Strip

UNS NY



T8 & T8HO, ELECTRONIC BALLAST

2', 3', 4' or 8' length
1 or 2 lamps

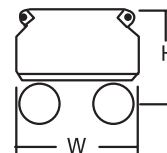
Specifications

Length: 18 (457), 24 (610), 36 (914),
48 (1219) or 96 (2438)

Width: 4-3/8 (111)

Depth: 3 (76)

All dimensions are inches (millimeters) unless otherwise specified.



ORDERING INFORMATION

For shortest lead times, configure product using **standard options (shown in bold)**.

Example: UNS 2 32 MVOLT GEB10IS NYC

UNS							
Series	Lamps	Lamp Type		Voltage	Options		
UNS Heavy-duty strip For tandem double-length unit, add prefix T. Example: TUNS	1 2 Not included.	17 17W T8 (24") 25 25W T8 (36") 32 32W T8 (48") 48T8 38W T8 (48") 48T8HO 60W T8 800MA (48") 96T8 59W T8 (96") 96T8HO 59W T8 800MA (96")		120 277 MVOLT¹	<u>Shipped installed in fixture</u> GEB10IS T8 electronic ballast, ≤10% THD, instant start EL Emergency battery pack (nominal 300 lumens), see Life Safety Section NY I.B.E.W. union made, NYC code compliant NY3 I.B.E.W. Local 3 union made		

Accessories

Order as separate catalog number.

- SQ_ Swivel stem hanger (specify length in 2" increments)
- 1B Ceiling spacer (1-1/2" to 2-1/2" from ceiling)
- HC36 Chain hangers (1 pair, 36" long)
- THUN Tong hanger
- HRUNS1 Hooker® T-bar hanger (1-1/2" from ceiling)
- CSMR48 Symmetric reflector, 4' white
- CASR48 Asymmetric reflector 4' white
- WGCUN Wireguard, 4' white²

NOTES:

- 1 MVOLT (120-277 volt).
- 2 Order two for 8' fixtures. For strip channels only.

UNS NY T8

MOUNTING DATA

For unit or row installation, surface or suspended mounting. Use hanger appropriate for fixture width.

Unit installation — Minimum of two hangers required.

Row installation — One hanger per channel plus one per row required.

Hooker® (HRUNS1), HC36 and THUN Hangers — Minimum two per channel (unit and row).

See ACCESSORIES below for hanging devices.

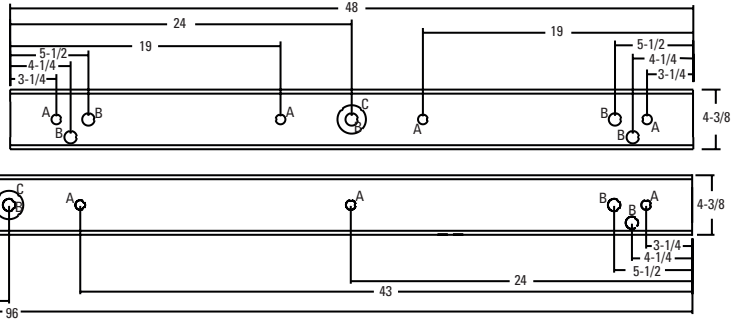
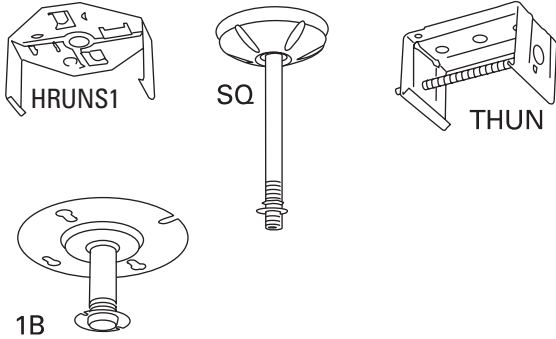
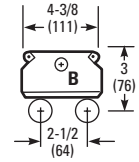
DIMENSIONS

Inches (millimeters). Subject to change without notice.

A = 11/16 (18) Dia. K.O.

B = 7/8 (22) Dia. K.O.

C = 2 (51) Dia. K.O.



PHOTOMETRICS

Calculated using the zonal cavity method in accordance with IESNA LM41 procedure. Floor reflectances are 20%. Lamp configurations shown are typical. All data based on 25°C. Full photometric data on these and other configurations available upon request.

UNS 2 32

Report: LTL12571

LUMENS PER LAMP: 2900

Luminaire Efficiency: 92.8%

UNS 1 32

Report: LTL12570

LUMENS PER LAMP: 3050

Luminaire Efficiency: 93.3%

Coefficients of Utilization

pc	Coefficients of Utilization								
	80%			20%			30%		
	70%	50%	30%	50%	30%	10%	50%	30%	10%
0	106	106	106	93	93	93	86	86	86
1	94	89	84	78	74	71	71	68	66
2	84	76	68	66	61	56	60	56	52
3	76	65	57	57	51	45	52	47	42
4	69	57	48	50	43	38	46	40	35
5	63	51	42	44	37	32	41	35	30
6	58	45	36	40	33	28	37	31	26
7	54	41	32	36	29	24	33	27	23
8	50	37	29	33	26	21	30	24	20
9	46	34	26	30	23	19	28	22	18
10	43	31	23	28	21	17	26	20	16

Coefficients of Utilization

pc	Coefficients of Utilization								
	80%			20%			30%		
	70%	50%	30%	50%	30%	10%	50%	30%	10%
0	108	108	108	95	95	95	88	88	88
1	94	89	83	78	74	71	72	69	66
2	85	75	68	66	61	56	61	56	52
3	76	65	56	57	51	45	53	47	42
4	69	57	48	50	43	38	46	40	35
5	63	50	41	45	37	32	41	35	30
6	58	45	36	40	33	27	37	31	26
7	54	41	32	36	29	24	34	27	23
8	50	37	28	33	26	21	31	25	20
9	47	34	26	30	24	19	28	22	18
10	44	31	23	28	21	17	26	20	16

Zonal Lumen Summary

Zone	Lumens	% Lamp	% Fixture
0° - 30°	842	14.5	15.6
0° - 40°	1436	24.8	26.7
0° - 60°	2810	48.4	52.2
0° - 90°	4363	75.2	81.0
90° - 180°	1021	17.6	19.0
0° - 180°	5384	92.8	100.0

Zonal Lumen Summary

Zone	Lumens	% Lamp	% Fixture
0° - 30°	455	14.9	16.0
0° - 40°	770	25.3	27.1
0° - 60°	1490	48.8	52.4
0° - 90°	2393	78.5	84.1
90° - 180°	452	14.8	15.9
0° - 180°	2846	93.3	100.0



Lithonia Lighting

Fluorescent

One Lithonia Way, Conyers, GA 30012

Phone: 800-858-7763

www.lithonia.com