



Main

Range of product	Altivar
Accessory / separate part category	Mounting and fixing accessory
Accessory / separate part type	Mounting kit
Accessory / separate part destination	Variable speed drive
Range compatibility	Altivar 61 Altivar 71 Altivar 32 Altivar 212 Altivar 61Q Altivar 71Q Altivar Machine ATV320
IP degree of protection	IP54

Complementary

Kit composition	Mounting hardware Screws and bolts for mounting
Product weight	0.33 lb(US) (0.15 kg)

Environment

Offer Sustainability

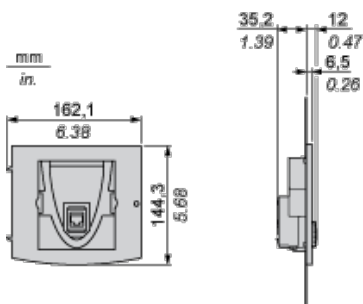
WARNING: This product can expose you to chemicals including:	WARNING: This product can expose you to chemicals including:
Lead and lead compounds, which is known to the State of California to cause cancer and birth defects or other reproductive harm.	Lead and lead compounds, which is known to the State of California to cause cancer and birth defects or other reproductive harm.
Bisphenol A (BPA), which is known to the State of California to cause birth defects or other reproductive harm.	Bisphenol A (BPA), which is known to the State of California to cause birth defects or other reproductive harm.
For more information go to www.p65warnings.ca.gov	For more information go to www.p65warnings.ca.gov

Contractual warranty

Warranty period	18 months
-----------------	-----------

Door Mounting Kit for Remote Graphic Display Terminal

Dimensions and Mounting



Cuts-outs and drill holes

The information provided in this documentation contains general descriptions and/or technical characteristics of the products contained herein. This documentation is not intended as a substitute for and is not to be used for determining suitability or reliability of these products for specific user applications. It is the duty of any such user or integrator to perform the appropriate and complete risk analysis, evaluation and testing of the products with respect to the relevant specific application or use thereof. Neither Schneider Electric Industries SAS nor any of its affiliates or subsidiaries shall be responsible or liable for misuse of the information contained herein.

