

# Mini-Com® Ultimate ID® Modular Patch Panels

## specifications

Ultimate ID® Modular Patch Panels shall consist of a metal panel with molded snap-in faceplates. Patch panels shall accept all Mini-Com® Modules for UTP, STP, fiber, or AV applications and shall mount to standard 19" racks. Patch panels shall be available in 24-port and 48-port standard density in a flat or angled design. Ultimate ID® Patch Panels shall comply with the latest TIA/EIA-606-A labeling standard by providing labeling capabilities and various configurations. Angled patch panels shall be designed at an optimum angle to help route the cable.



## technical information

<b>Mounting options:</b>	Mounts to standard 19" rack or 23" rack with optional extender bracket
<b>Material:</b>	Stamping is CRS and faceplate is ABS
<b>Packaging:</b>	Packaged with appropriate pre-installed snap-in faceplates, a set of mounting screws (#12-24 and M6), and label cover kit

## key features and benefits

<b>Modular</b>	Accepts all Panduit Mini-Com® Modules to mix and match media types in the same panel
<b>Angled design</b>	Allows cable to flow to each side of the rack and minimizes the need for horizontal cable managers by enabling patch cords to be routed directly into vertical cable managers which leads to increased closet density and improved bend radius control
<b>Port and panel identification</b>	Complies with TIA/EIA-606-A labeling standard by providing labeling capabilities to the cable and the ports (labels not included)
<b>Optional strain relief bars</b>	Help support and manage cables
<b>Optional filler panels</b>	Flat and angled designs fill unused rack openings to provide a clean and consistent look when used with any version of Panduit angled patch panels
<b>Optional extender bracket</b>	Allows 19" patch panels to be mounted on a 23" rack

## applications

Mini-Com® Ultimate ID® Modular Patch Panels are ideal for multi-media applications; they accept all Mini-Com® Modules. Flat and angled designs in various port densities are available to fit most needs and include label pockets above the ports and the ability to customize the configuration based on specific needs. The 24-port panel is also available with label pockets above and below the ports for additional labeling options. Angled patch

panels are available for applications in which rack space is limited. The angled panel design allows cable to flow to each side of the rack, minimizing the need for horizontal cable managers and increasing the density of the rack space. Ultimate ID® Patch Panels can mount on a standard 19" rack or a 23" rack when using the extender brackets PEB1 or PEB2.

### Ultimate ID® Flat Patch Panels

<b>24-port, 1 RU:</b>	UICMPP24BLY
<b>48-port, 2 RU:</b>	UICMPP48BLY
<b>24-port, 1 RU, 2 label holders:</b>	UICMPPT24BLY

### Ultimate ID® Angled Patch Panels

<b>24-port, 1 RU:</b>	UICMPPA24BLY
<b>48-port, 2 RU:</b>	UICMPPA48BLY
<b>24-port, 1 RU, 2 label holders:</b>	UICMPPTA24BLY

### Ultimate ID® Patch Panel Faceplates

<b>4-port faceplate with 2 label pockets:</b>	UICPP2L4BL
---	------------

<b>4-port faceplate with 1 label pocket:</b>	UICPPL4BL
--	-----------

### Labels for Ultimate ID® Patch Panels and Patch Panel Faceplates

<b>PanTher™ LS8E and Cougar™ LS9:</b>	UILS8BW
---------------------------------------	---------

<b>Ultimate ID® Laser/Ink jet :</b>	UILJ4
-------------------------------------	-------

### Strain Relief Bars

<b>Straight:</b>	SRBS19BL-XY
<b>Extended, 2":</b>	SRB19BLY
<b>With hook and loop ties:</b>	SRBM19BLY
<b>With adjustable clips:</b>	SRBWCV
<b>Deep, 5":</b>	SRB19D5BLY
<b>Deep, 7":</b>	SRB19D7BLY
<b>Multi-depth:</b>	SRB19MDBL

### Rack Filler Panels

<b>Flat, 1 RU:</b>	DPFP1
<b>Flat, 2 RU:</b>	DPFP2
<b>Flat, 4 RU:</b>	DPFP4
<b>Flat, 8 RU:</b>	DPFP8

<b>Toolless blanking panel, 1 RU, round holes:</b>	TLBP1R-V
--	----------

<b>Toolless blanking panel, 2 RU, round holes:</b>	TLBP2R-V
--	----------

<b>Toolless blanking panel, 1 RU, square holes:</b>	TLBP1S-V
---	----------

<b>Toolless blanking panel, 2 RU, square holes:</b>	TLBP2S-V
---	----------

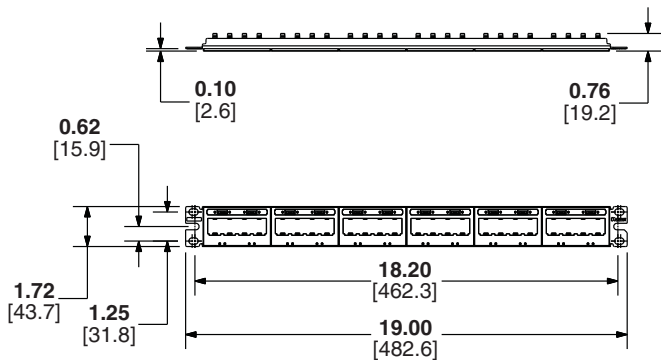
<b>Angled, 1 RU:</b>	CPAF1BLY
<b>Angled, 2 RU:</b>	CPAF2BLY

### Extender Brackets:

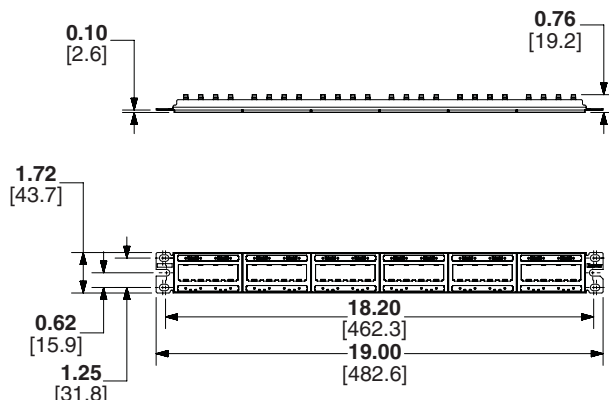
<b>1 RU:</b>	PEB1
<b>2 RU:</b>	PEB2

# Mini-Com® Ultimate ID® Modular Patch Panels

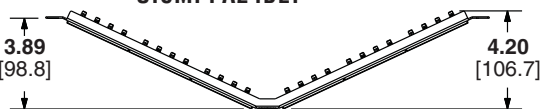
**UICMPP24BLY**



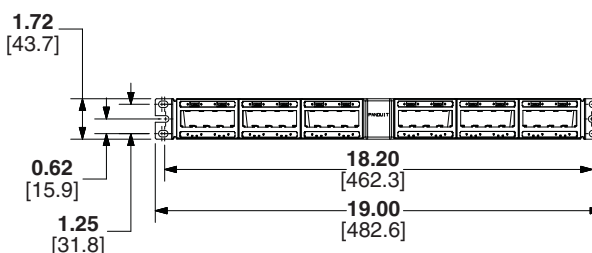
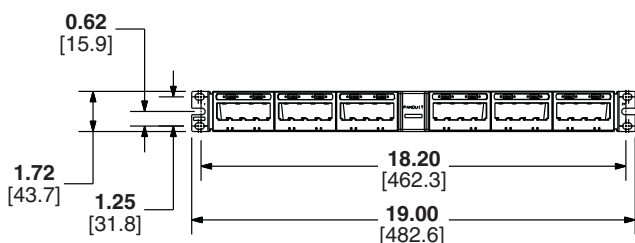
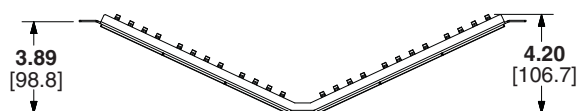
**UICMPPT24BLY**



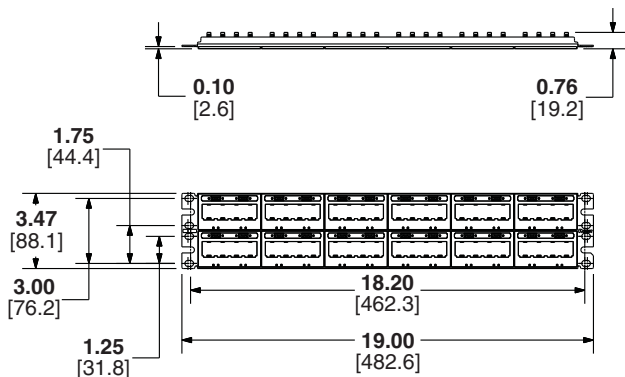
**UICMPPA24BLY**



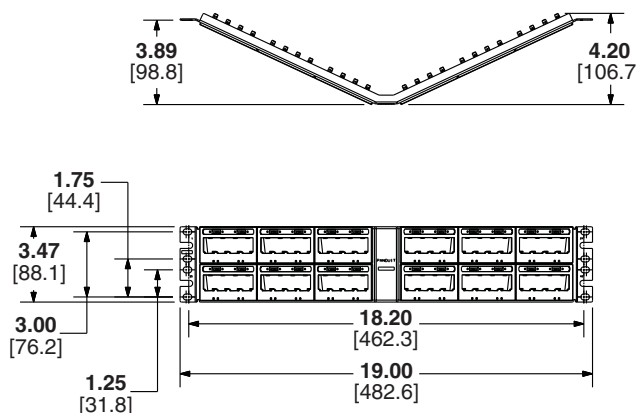
**UICMPPTA24BLY**



**UICMPP48BLY**



**UICMPPA48BLY**



Dimensions are in inches. [Dimensions in brackets are metric].

## WORLDWIDE SUBSIDIARIES AND SALES OFFICES

PANDUIT CANADA  
Markham, Ontario  
cs-cdn@panduit.com  
Phone: 800.777.3300

PANDUIT EUROPE LTD.  
London, UK  
cs-emea@panduit.com  
Phone: 44.20.8601.7200

PANDUIT SINGAPORE PTE. LTD.  
Republic of Singapore  
cs-ap@panduit.com  
Phone: 65.6305.7575

PANDUIT JAPAN  
Tokyo, Japan  
cs-japan@panduit.com  
Phone: 81.3.6863.6000

PANDUIT LATIN AMERICA  
Guadalajara, Mexico  
cs-la@panduit.com  
Phone: 52.33.3777.6000

PANDUIT AUSTRALIA PTY. LTD.  
Victoria, Australia  
cs-aus@panduit.com  
Phone: 61.3.9794.9020

For a copy of Panduit product warranties, log on to [www.panduit.com/warranty](http://www.panduit.com/warranty)

For more information

Visit us at [www.panduit.com](http://www.panduit.com)

Contact Customer Service by email: [cs@panduit.com](mailto:cs@panduit.com)  
or by phone: 800.777.3300



©2013 Panduit Corp.  
ALL RIGHTS RESERVED.  
OTSP30--WW-ENG  
Replaces WW-OTSP24  
2/2013