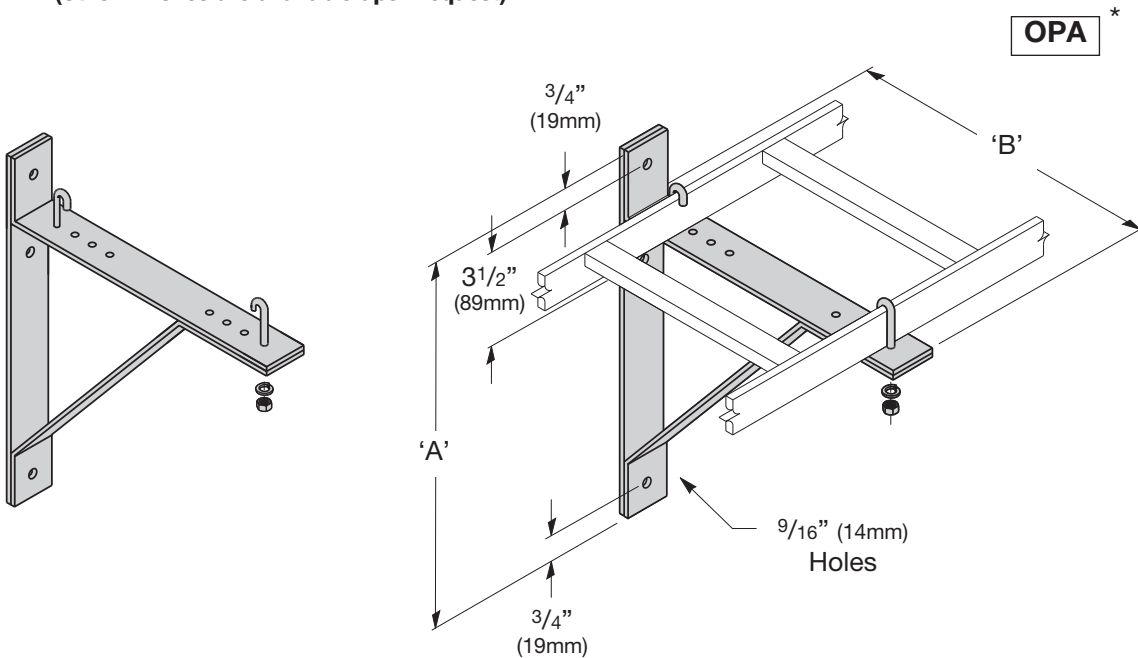


Triangular Runway Wall Support Kit

- Use to support cable runway from wall.
- Sized for both 1½" (38mm) & 2" (51mm) stringers.
- Welded steel construction.
- Designed for 6" (152mm), 9" (228mm), and 12" (305mm) cable runways.
- Order anchors separately.
- See SB214 for larger sizes.
- Support width: 2" (51mm)
- Includes: (1) wall support, (2) "J" bolts, and 5/16"-18 hardware.
- Material: ASTM A36 structural steel
- Finish___: Yellow Zinc (YZ),
Telco Gray Powder Coat (TG) or
Flat Black Powder Coat (FB)
(Other finishes are available upon request)



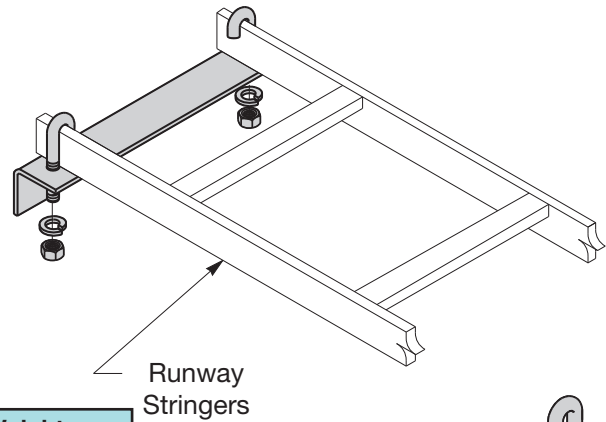
| Part Number Steel | Runway Width 'W' | | 'A' | | 'B' | | Weight | |
|----------------------|---------------------|-------------|--------|-------|--------|-------|--------|-------|
| | In. | (mm) | In. | (mm) | In. | (mm) | Lbs. | (kg) |
| ✓ SB21306K___ | 6" | (152) | 10" | (254) | 77/8" | (254) | 3.8 | (1.7) |
| ✓ SB21312K___ | 6" - 12" | (152 - 305) | 131/8" | (254) | 137/8" | (292) | 5.9 | (2.7) |
| ✓ SB21318K___ | 12" - 18" | (305 - 457) | 191/8" | (254) | 197/8" | (368) | 8.8 | (4.0) |

✓ FB, TG & YZ are popular items

*See page 8 for OPA details.

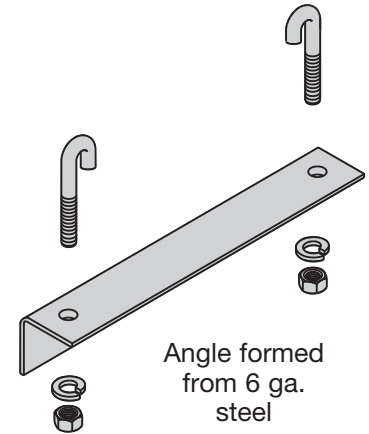
Runway Wall Angle Support Kit

- Use to secure cable runway to a wall.
- Sized for both 1 1/2" (38mm) & 2" (51mm) stringers.
- Order anchors separately.
- Includes: (1) angle bracket, (2) "J" Bolts and 5/16"-18 hardware.
- Material: 6 Gauge ASTM A569 steel
- Finish___: Yellow Zinc (YZ), Telco Gray Powder Coat (TG) or Flat Black Powder Coat (FB) (Other finishes are available upon request)



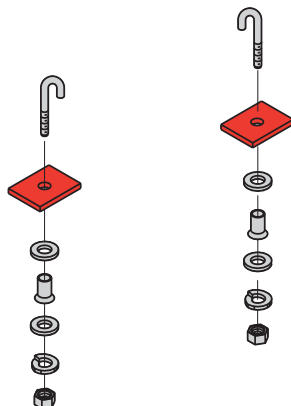
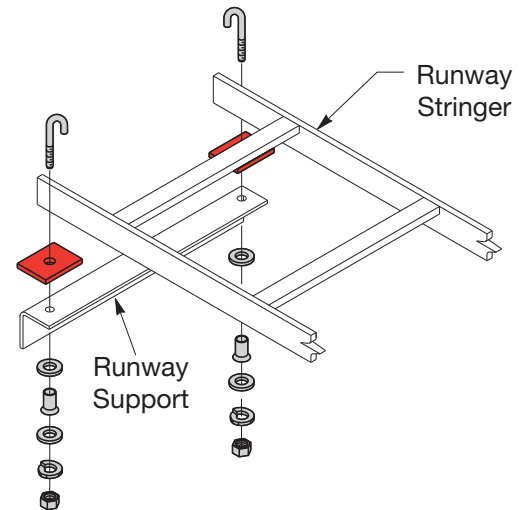
| Part Number For | Runway Width | | Weight | |
|-----------------|--------------|-------|--------|--------|
| | In. | (mm) | Lbs. | (kg) |
| SB211306___ | 6" | (152) | 2.10 | (0.95) |
| SB211309___ | 9" | (228) | 2.60 | (1.18) |
| ✓ SB211312___ | 12" | (305) | 3.70 | (1.68) |
| SB211315___ | 15" | (381) | 4.50 | (2.04) |
| ✓ SB211318___ | 18" | (457) | 5.40 | (2.45) |
| SB211320___ | 20" | (508) | 6.00 | (2.72) |
| SB211324___ | 24" | (609) | 7.20 | (3.26) |
| SB211330___ | 30" | (762) | 9.00 | (4.08) |
| SB211336___ | 36" | (914) | 10.80 | (4.90) |

✓ FB, TG & YZ are popular items



Runway Wall Support Isolation Kit

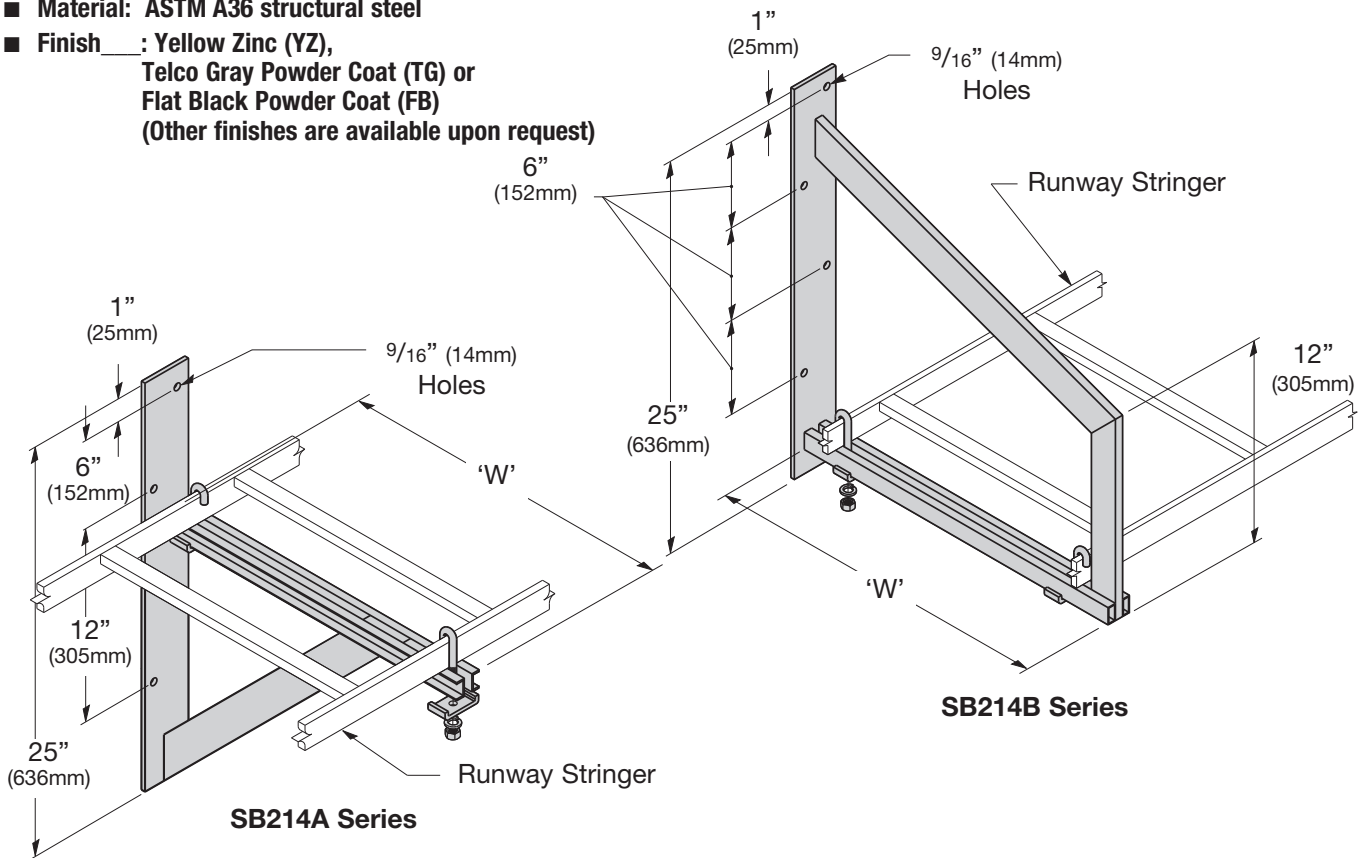
- Use to secure and provide electrical isolation of cable runway to wall support.
- Includes: (2) pads, (2) "J" Bolts, (2) sleeve kits and hardware.
- Material: Polyester fiberglass - pad
6/6 Nylon - sleeve
steel - "J" Bolt and hardware
- Finish: Pad - Red
Sleeve - Natural
J-Bolts and hardware - Yellow Zinc (YZ)



| Part Number | Runway Height | | Weight | |
|-------------|---------------|------|--------|--------|
| | In. | (mm) | Lbs. | (kg) |
| SB2501 | 1 1/2" | (38) | 0.20 | (0.09) |

Runway Wall Support

- Use to support cable runway from wall.
- Sized for both 1 1/2" (38mm) & 2" (51mm) stringers.
- Welded steel construction.
- Designed for 15" (381mm), 18" (457mm), and 24" (609mm) cable runways.
- See SB213 for smaller sizes.
- Order anchors separately.
- Includes: (1) wall support, (2) "J" bolts, (2) framing clips, and 5/16"-18 hardware.
- Material: ASTM A36 structural steel
- Finish ___ : Yellow Zinc (YZ),
Telco Gray Powder Coat (TG) or
Flat Black Powder Coat (FB)
(Other finishes are available upon request)



SB214A Series

| Part Number | Runway Width | | 'W' Bracket Width | | Weight | |
|-------------|--------------|-------|-------------------|-------|--------|-------|
| | In. | (mm) | In. | (mm) | Lbs. | (kg) |
| SB214A15K__ | 15" | (381) | 18" | (457) | 9.0 | (4.1) |
| SB214A18K__ | 18" | (457) | 21" | (533) | 9.3 | (4.2) |
| SB214A24K__ | 24" | (609) | 27" | (686) | 10.0 | (4.5) |

SB214B Series

| Part Number | Runway Width | | 'W' Bracket Width | | Weight | |
|-------------|--------------|-------|-------------------|-------|--------|-------|
| | In. | (mm) | In. | (mm) | Lbs. | (kg) |
| SB214B15K__ | 15" | (381) | 18" | (457) | 10.0 | (4.5) |
| SB214B18K__ | 18" | (457) | 21" | (533) | 10.5 | (4.7) |
| SB214B24K__ | 24" | (609) | 27" | (686) | 11.4 | (5.2) |