

OSSMT-MDI



UPC Code: 07847727938

Country of Origin: Mexico - *Eligible for
ARRA funded projects > \$7,443,000



Brand Features

Leviton's OSSMT Multi-Technology Decora Wall Switch Occupancy Sensor is used to provide automatic light-ing control for energy savings and convenience in a variety of commercial applications.

Item Description

Product Line: OSSMT, Technology: Multi-Technology PIR/Ultrasonic, Switch Type: Single-Pole, Mounting: Wall Switch, Device Type: Occupancy Sensor, Coverage (Sq.Ft.): 2400 Sq. Ft., Voltage: 120-277 Volt AC, 50/60Hz, Pattern: 180°, Color: Ivory, Neutral Wire Connection: Required, Warranty: 5-Year Limited

Technical Information

Product Features

Product Line: OSSMT

Technology: Multi-Technology
PIR/Ultrasonic

Switch Type: Single-Pole

Mounting: Wall Switch

Device Type: Occupancy Sensor

Grade: Commercial

Coverage (Sq.Ft.): 2400 Sq. Ft.

Pattern: 180°

Mounting Height (Ft.): 4 Ft.

Adjustment: Self-Adjusting

Time Delay: 30s-30m

Voltage: 120-277 Volt AC, 50/60Hz

Load Rating: 800W@120V INC
1200VA@120V 2700VA@277V FL

Motor: 1/4 HP @ 120V

Power Pack: External Power Pack Not
Required

Consumption (mA): N/A

Photocell: Internal

HVAC Relay: N/A

Operating Temperature: 0C to 50C

Storage Temperature Range: -10°C to
85°C

Relative Humidity: 20% to 90% non-
condensing

Neutral Wire Connection: Required

Color: Ivory

LED Color: Green and Red

Wallplate: Order Separately

Standards and Certifications: UL/cUL

Code Compliance: California Title 24

Size: 4.06" H x 1.75" W x 1.85" D
(103.2mm x 44.4mm x 47.2mm)

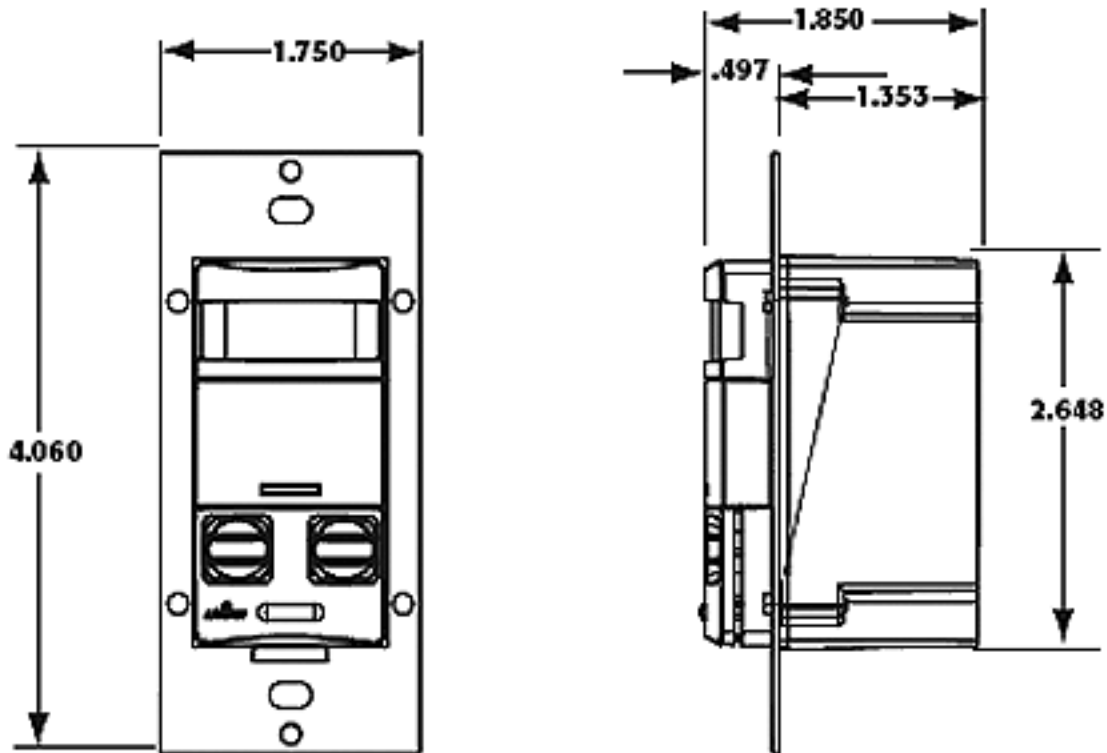
Warranty: 5-Year Limited

Features and Benefits

- Fast, simple Installation: Fits in a standard wall box and replaces a single-pole wall switch; neutral and no neutral options available. Sensor can be ganged together with other units in a multiple-switch wall plate.
- Low-profile design eliminates obtrusive "scanning-device" look. Elegant Decora wallplates complement any interior for sleek aesthetics; uses Decora wallplates

and coordinates with Leviton's popular line of Decora wiring devices.

- Convenient Pushbutton provides manual-ON/OFF light switching at any time.
- Segmented Fresnel lens provides optimum sensitivity and performance. Designed with an extensive "minor motion" area where even slight body movements will be detected.
- Vandal resistant PIR lens.
- Adjustable horizontal field-of-view (PIR may be adjusted between 180° and 60° of arc by using integral blinders located on either side of the lens). No masking required.
- Manual-ON/auto-OFF mode for installations where manual-ON switching is required but auto-OFF switching is still desired for CEC Title 24 energy savings.
- To comply with CED Title 24, LED indicator light flashes when sensor detects motion to verify detection is active. Green flashes for ultrasonic, red flashes for PIR.
- Time: The delayed OFF time is preset at 30 minutes in the Auto Adapting mode. A choice of four delayed-OFF time settings are available: 30-seconds (for walking test purposes only), 10, 20, and 30 minutes for fixed time and auto adapting. The LED will flash when the adjusting knob is set to the indicated time value.
- Ambient Light Recognition: Integrated light sensor prevents lights from turning on when the room is adequately illuminated by natural light.
- Self-Adaptive Technology: Callbacks for adjustment are eliminated. Time delay and sensitivity settings are continually adjusted to occupant patterns of use in auto adapt mode.
- Exclusive Walk-through Feature provides increased energy savings by not leaving the lights ON for an extended period after only momentary occupancy.
- Vacancy Confirmation: When the time out expires and the relays turn OFF, a 30 second (OSSMT-G) or 40 second (OSSMT-M) vacancy confirmation exists to turn the relays back on.
- False detection circuitry.
- Small Motion Sensitivity (U/S): Ultrasonic technology provides excellent minor motion sensitivity.
- Ability to disable U/S (OSSMT-M). For added flexibility, OSSMT-G has the ability to disable both PIR and U/S.
- Presentation Mode feature: For slide or film presentations, allows pushbuttons to turn lights OFF and keep them OFF while the room is occupied.
- Exclusive Leviton H.I.S. Circuitry. Specifically designed to handle today's high inrush electronic ballast loads and offer unmatched durability and service.
- True Zero-Cross Relay switches at the zero crossing point of the AC power curve to ensure maximum contactor life and compatibility with electronic ballasts.



SPECIFICATION SUBMITTAL

JOB NAME:		CATALOG NUMBERS:	
<input type="text"/>		<input type="text"/>	
JOB NUMBER:			
<input type="text"/>		<input type="text"/>	

Leviton Manufacturing Co., Inc.
 201 North Service Road, Melville, NY 11747
 Telephone: 1-800-323-8920 · FAX: 1-800-832-9538 · Tech Line (8:30AM-7:30PM E.S.T. Monday-Friday): 1-800-824-3005

Leviton Manufacturing of Canada, Ltd.
 165 Hymus Boulevard, Pointe Claire, Quebec H9R 1E9 · Telephone: 1-800-469-7890 ·
 FAX: 1-800-824-3005 · www.leviton.com/canada

Leviton S. de R.L. de C.V.
 Lago Tana 43, Mexico DF, Mexico CP 11290 · Tel.: (+52)55-5082-1040 · FAX: (+52)5386-1797 · www.leviton.com.mx

Visit our Website at: www.leviton.com
 © 2012-2016 Leviton Manufacturing Co., Inc. All rights reserved. Subject to change without notice.



Leviton has a global presence.
 If you would like to know where your local Leviton office is located please go to: www.leviton.com/international/contacts/

**Buy American Compliant Logo -- The American Recovery And Reinvestment Act of 2009 ("ARRA") provides federal grants and loans for projects throughout the country. Section 1605 of the Act, named the "Buy American" provision, requires that certain materials and manufactured products used in projects funded by the Act be manufactured in the United States. The appearance of the Recovery Act Logo in relation to a Leviton product is only intended to reflect that such product may be used in an ARRA funded project. It does not mean that such product or Leviton is sponsored or endorsed by, or that Leviton receives funds from, the federal government or the Recovery Accountability and Transparency Board. Nothing in Leviton's use of the logo is intended to suggest anything regarding the requirements for funding under ARRA.*