

Catalog Number	
Notes	Type

FEATURES & SPECIFICATIONS

INTENDED USE

The OnePass Cable 2 Port is a splitter and cable extender in one easy-to-use component. Used to bring power to OCS, OCU or an OD in industrial applications, or to split a circuit into two directions.

ELECTRICAL

- Rated for use on 20-amp branch circuits only.
- All components provide a fully rated No.12 AWG grounding conductor.
- 10AWG or 12AWG copper conductors with -20°C to +90°C thermoplastic insulation rated 600V.
- C12S option includes three 12 AWG conductors and 18 AWG shielded pair for controls wiring. (-20°C to +90°C)
- Safety-keying prevents accidental mating of components with different voltages.

SYSTEM FEATURES

- Pin and socket contacts.
- Color-coded labels for quick voltage identification.
- EXT option enables OC2's to be installed in hot and cold applications (-40° to +90°C).
- Type of insulation for EXT option is based on NEC Table 310.104(A).
- Dust Cover available for unused ports: RDC3 METAL DUST COVER.

LISTINGS

- UL listed to US and Canadian safety standards.
- Controls wiring option C12S is UL Listed only.
- C12S option meets NEC requirements for separation of Class 2 and Class 3 circuits from Class 1 circuits by a barrier as defined by Article 725.136(B).
- U.S. Patent No. 5,679,023

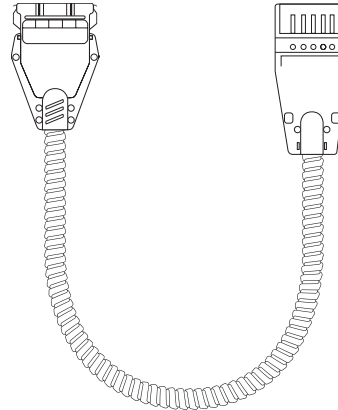
WARRANTY

• 5-year limited warranty. Complete warranty terms located at www.acuitybrands.com/CustomerResources/Terms_and_conditions.aspx

OnePass® Cable 2 Port

OPEN CEILING LIGHTING SYSTEM

OC2



CONTROLS-ENABLED WIRING OPTIONS

- 0-24V integrated single-circuit or 0-10V low voltage controls applications: select C12S.
- 0-24V multi-circuit dimming or 0-10V low voltage controls applications: select LVC.
- Sensor Switch®, nLight®, LC&D XPoint™ fixture level controls applications: select CAT5_(length) options.

Actual performance may differ as a result of end-user environment and application. Note: Specifications subject to change without notice.

ORDERING LOGIC

Example: **OC2 277 12/4G 09**

For shortest lead times, configure product using **bolded options**.

OC2

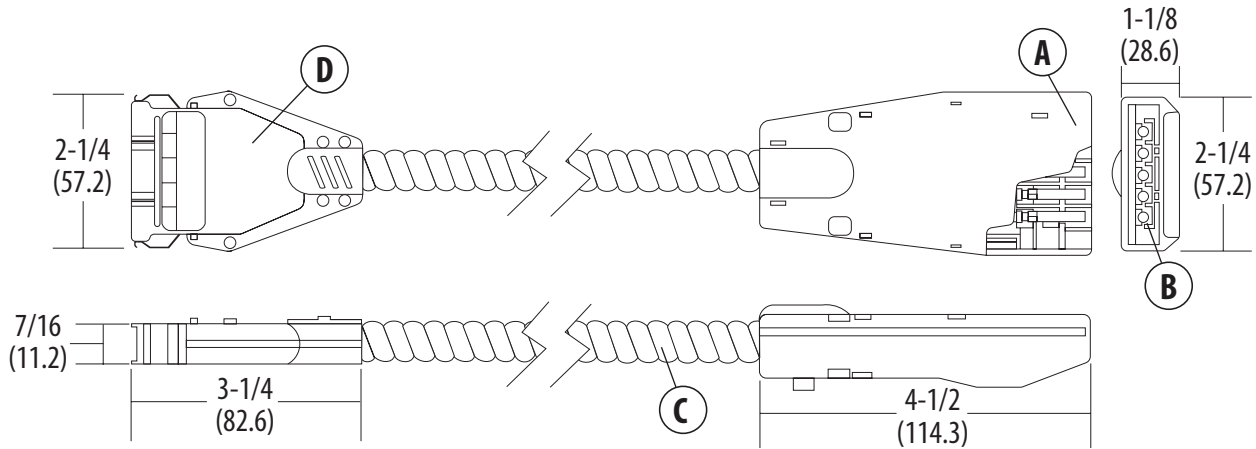
Series	Voltage	Conductors	Length ¹	Controls Wiring	Options	Finish ¹⁰			
OC2	120 120V	12/2G Two 12 AWG conductors, plus one 12 AWG ground	05 5 ft.	(blank) Not required	2N Two circuit, two neutral ⁸	(blank) Not required			
	208 208V		09 9 ft.				C12S Integrated CI, CII rated line voltage and signal wires ^{2,3}	EXT Extreme temperature rating conductors ⁹	RD Red
	240 240V		15 15 ft.				LVC 3 position connector system for low voltage wiring ^{4,5,6}		BK Black
	277 277V	12/3G Three 12 AWG conductors, plus one 12 AWG ground	21 21 ft.	CAT5_ Preterminated and tested CAT5 cable attached, specify length ^{4,6,7}		WH White			
	347 347V		25 25 ft.		BE Beige				
	480 480V		31 31 ft.		OJ Orange				
		10/2G Two 10 AWG conductors, plus one 10 AWG ground	35 35 ft.						
			10/3G Three 10 AWG conductors, plus one 10 AWG ground						
			10/4G Four 10 AWG conductors, plus one 10 AWG ground						

NOTES

- Standard lengths listed. Consult factory for custom lengths up to 50 ft.
- C12S available with 12/2G conductor only.
- C12S only available with 120, 277 and 480 volts.
- LVC and CAT5 not available with 10/3G and 10/4G conductors.
- See spec sheet LVC for details.
- CAT5 and LVC option available on cables up to 35 ft. only.
- See spec sheet RCAT5 for details. CAT5 length must include the length of the OC2 and the length of cord drop for the fixture plus 2 ft.
- 2N available in 120V, 277V and 347V; 12/4G and 10/4G conductors only.
- EXT option required for EXTREME hot and cold temperature applications (-40° to 90°C). EXT option not available with 10/4G and 12/4G conductors.
- Colored cable available up to 35 ft. only. Contact factory for other finishes.

DIMENSIONS

Dimensions are shown in inches (millimeters)



- A** – Injection-molded, high-impact polymeric compound enclosure
- B** – Tin-plated, brass contacts
- C** – McCable standard and FMC optional
- D** – 18-gauge galvanized steel cover, zinc alloyed casting

Wire Color & Position for C125 Option

(C125 only available with 120, 277 and 480 volts)

Position	Function	120V	277V	480V ¹
1	Data 2, Common (-)	Gray	Gray	Gray
2	Data 1, Positive(+)	Purple	Purple	Purple
3	Ground	Bare	Bare	Bare
4	Neutral ¹	White	White	Orange
5	Hot	Black	Brown	Brown

1. In 480V, the neutral position is the 2nd hot.

SYSTEM VIEW

System View designs are for illustrative purposes only.

