

Surface Raceway and Lighting Support Systems

G-978-A Joiners

For installations where fixtures are mounted flush to slot-down channels. Fastening is accomplished by tightening flat head machine screws.

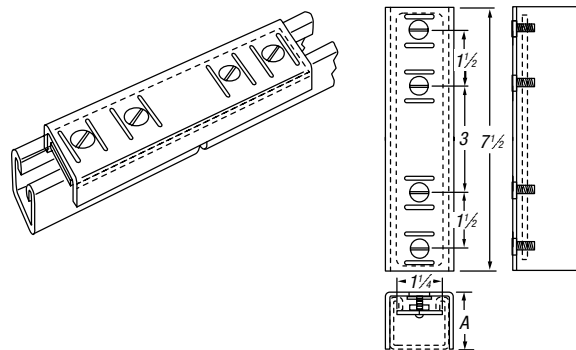


CAT. NO.	TYPE OF CHANNEL APPLICABLE	DIM. A (IN.)	WT. LBS./C
G 978A	Use with G-975, G-975-M and B-900, B-900-M	1½	103

G-978-AL	Use with B-906	¾	83
-----------------	----------------	---	----

14 ga. steel.

Galv-Krom® finish.



G-979 End Cap

Use with G-975 or B-900 channel to provide conduit entrance.



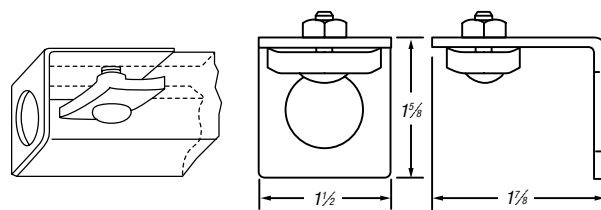
CAT. NO.	DESCRIPTION	WT. LBS./C
G 979 1/2	For ¾" Hole, ½" Conduit	25
G-979-3/4	For 1½" Hole, ¾" Conduit	25

Furnished with stud nut.

12 ga. steel.

UL Listed for raceway.

Galv-Krom® finish.



G-1007 Panel Adapter

Mounts 1½" x 1½" raceway channel to panel board.

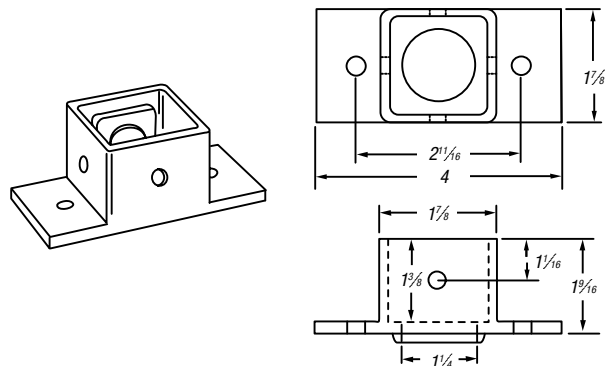


CAT. NO.	WT. LBS./C
G 1007	36

Complete with stud nuts.

UL Listed for raceway.

Galv-Krom® finish.



G-1012 "Lay-In" Channel Hanger



CAT. NO.	DESCRIPTION	WT. LBS./C
G 1012	Galv-Krom® Finish	33

14 ga. steel.

UL Listed for raceway.

Load rating of 500 lbs. with a safety factor of 3.

