

**CONCEPT WITH ADDITIONAL QUARTER-TURN LATCHES, TYPE 4X**

**INDUSTRY STANDARDS**

Mounting brackets required to meet UL/CSA external mounting requirements.

UL 508A Listed; Type 3R, 4, 4X, 12; File No. E61997  
 cUL Listed per CSA C22.2 No 94; Type 3R, 4, 4X, 12; File Number E61997

NEMA/EEMAC Type 3R, 4, 4X, 12, 13  
 IEC 60529, IP66  
 Meets NEMA Type 3RX requirements

**APPLICATION**

For indoor or outdoor applications that require corrosion protection from chemicals and water, CONCEPT enclosures house larger controls and feature streamlined styling with an attractive stroked finish, flush quarter-turn latches and an integral door ramp that ensures the door gasket sealing surface aligns with the enclosure body for secure closure.

**SPECIFICATIONS**

- Manufactured from 14 gauge Type 304 or Type 316L stainless steel
- Seams continuously welded and ground smooth
- Minimum-width body flange provides maximum body opening
- Corner formed doors
- External formed 90-degree body flange
- Stainless steel quarter-turn latches with flush slotted insert provided on three sides of enclosure door
- Integral door alignment device to properly align door and gasket to body offset
- Panel mounting studs fit optional CONCEPT panels and other accessories
- Mounting holes in back of body for direct mounting or for optional external mounting brackets
- Stainless steel hidden hinges
- Doors are interchangeable and easily removed by pulling clip-style hinge pins
- Provision on door for thermoplastic data pocket
- Provision on door for optional doorstop kit
- Seamless foam-in-place gasket
- Self-grounding latch system with double seal
- Bonding provision on door; grounding stud on body
- Furnished hardware kit consists of panel mounting nuts, panel grounding hardware and sealing washers for wall-mounting holes
- Installation instructions

**FINISH**

Door and body have smooth #4 brushed finish.

**ACCESSORIES**

Industrial Corrosion Inhibitors  
 Type 316 Stainless Steel Door Stop Kit  
 CONCEPT Panels  
 H2OMIT Vent Drains, Type 4X  
 H2OMIT Thermoelectric Dehumidifier  
 Handles  
 Lock Inserts

**MODIFICATION AND CUSTOMIZATION**

Hoffman excels at modifying and customizing products to your specifications. Contact your local Hoffman sales office or distributor for complete information.

**BULLETIN: CWS**

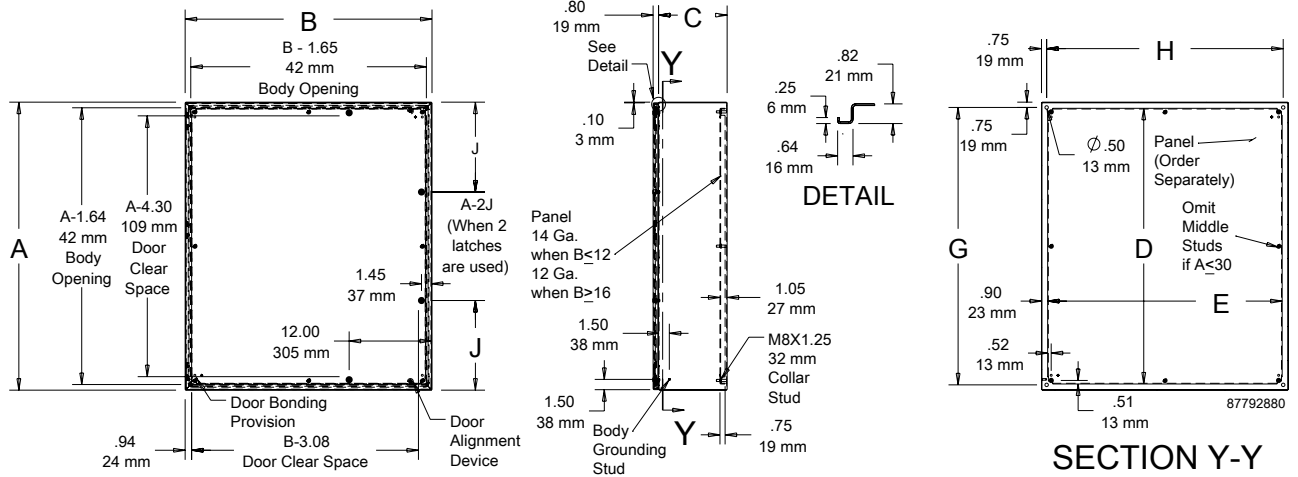
Standard Product

Catalog Number	AxBxC in./mm	Door Gauge	Body Gauge	Panel	Conductive Panel	Panel Size D x E in./mm	Mounting G x H in./mm	Latches Qty.	Style	J in./mm
CSD30368SSR	30.00 x 36.00 x 8.00 762 x 914 x 203	14	14	CP3630	CP3630G	34.20 x 28.20 869 x 716	28.50 x 34.50 724 x 876	4	Quarter-turn	10.00 254
CSD30368SS6R	30.00 x 36.00 x 8.00 762 x 914 x 203	14	14	CP3630	CP3630G	34.20 x 28.20 869 x 716	28.50 x 34.50 724 x 876	4	Quarter-turn	10.00 254
CSD36368SSR	36.00 x 36.00 x 8.00 914 x 914 x 203	14	14	CP3636	CP3636G	34.20 x 34.20 869 x 869	34.50 x 34.50 876 x 876	4	Quarter-turn	10.00 254
CSD36368SS6R	36.00 x 36.00 x 8.00 914 x 914 x 203	14	14	CP3636	CP3636G	34.20 x 34.20 869 x 869	34.50 x 34.50 876 x 876	4	Quarter-turn	10.00 254
CSD363610SSR	36.00 x 36.00 x 10.00 914 x 914 x 254	14	14	CP3636	CP3636G	34.20 x 34.20 869 x 869	34.50 x 34.50 876 x 876	4	Quarter-turn	10.00 254
CSD363610SS6R	36.00 x 36.00 x 10.00 914 x 914 x 254	14	14	CP3636	CP3636G	34.20 x 34.20 869 x 869	34.50 x 34.50 876 x 876	4	Quarter-turn	10.00 254
CSD423610SSR	42.00 x 36.00 x 10.00 1067 x 914 x 254	14	14	CP4236	CP4236G	40.20 x 34.20 1021 x 869	40.50 x 34.50 1029 x 876	4	Quarter-turn	13.00 330
CSD423610SS6R	42.00 x 36.00 x 10.00 1067 x 914 x 254	14	14	CP4236	CP4236G	40.20 x 34.20 1021 x 869	40.50 x 34.50 1029 x 876	4	Quarter-turn	13.00 330
CSD483610SSR	48.00 x 36.00 x 10.00 1219 x 914 x 254	14	14	CP4836	CP4836G	46.20 x 34.20 1173 x 869	46.50 x 34.50 1181 x 876	4	Quarter-turn	14.00 356
CSD483610SS6R	48.00 x 36.00 x 10.00 1219 x 914 x 254	14	14	CP4836	CP4836G	46.20 x 34.20 1173 x 869	46.50 x 34.50 1181 x 876	4	Quarter-turn	14.00 356
CSD603610SSR	60.00 x 36.00 x 10.00 1524 x 914 x 254	14	14	CP6036	CP6036G	58.20 x 34.20 1478 x 869	58.50 x 34.50 1486 x 876	4	Quarter-turn	17.00 432
CSD603610SS6R	60.00 x 36.00 x 10.00 1524 x 914 x 254	14	14	CP6036	CP6036G	58.20 x 34.20 1478 x 869	58.50 x 34.50 1486 x 876	4	Quarter-turn	17.00 432
CSD363612SSR	36.00 x 36.00 x 12.00 914 x 914 x 305	14	14	CP3636	CP3636G	34.20 x 34.20 869 x 869	34.50 x 34.50 876 x 876	4	Quarter-turn	10.00 254
CSD363612SS6R	36.00 x 36.00 x 12.00 914 x 914 x 305	14	14	CP3636	CP3636G	34.20 x 34.20 869 x 869	34.50 x 34.50 876 x 876	4	Quarter-turn	10.00 254
CSD423612SSR	42.00 x 36.00 x 12.00 1067 x 914 x 305	14	14	CP4236	CP4236G	40.20 x 34.20 1021 x 869	40.50 x 34.50 1029 x 876	4	Quarter-turn	13.00 330
CSD423612SS6R	42.00 x 36.00 x 12.00 1067 x 914 x 305	14	14	CP4236	CP4236G	40.20 x 34.20 1021 x 869	40.50 x 34.50 1029 x 876	4	Quarter-turn	13.00 330
CSD483612SSR	48.00 x 36.00 x 12.00 1219 x 914 x 305	14	14	CP4836	CP4836G	46.20 x 34.20 1173 x 869	46.50 x 34.50 1181 x 876	4	Quarter-turn	14.00 356
CSD483612SS6R	48.00 x 36.00 x 12.00 1219 x 914 x 305	14	14	CP4836	CP4836G	46.20 x 34.20 1173 x 869	46.50 x 34.50 1181 x 876	4	Quarter-turn	14.00 356
CSD603612SSR	60.00 x 36.00 x 12.00 1524 x 914 x 305	14	14	CP6036	CP6036G	58.20 x 34.20 869 x 462	58.50 x 34.50 1486 x 876	4	Quarter-turn	17.00 432
CSD603612SS6R	60.00 x 36.00 x 12.00 1524 x 914 x 305	14	14	CP6036	CP6036G	58.20 x 34.20 869 x 462	58.50 x 34.50 1486 x 876	4	Quarter-turn	17.00 432
CSD723612SSR	72.00 x 36.00 x 12.00 1829 x 914 x 305	14	14	CP7236	—	70.20 x 34.20 1783 x 462	70.50 x 34.50 1791 x 876	4	Quarter-turn	23.00 584
CSD423616SSR	42.00 x 36.00 x 16.00 1067 x 914 x 406	14	14	CP4236	CP4236G	40.20 x 34.20 1021 x 869	40.5 x 34.50 1029 x 876	4	Quarter-turn	13.00 330
CSD423616SS6R	42.00 x 36.00 x 16.00 1067 x 914 x 406	14	14	CP4236	CP4236G	40.20 x 34.20 1021 x 869	40.5 x 34.50 1029 x 876	4	Quarter-turn	13.00 330
CSD483616SSR	48.00 x 36.00 x 16.00 1219 x 914 x 406	14	14	CP4836	CP4836G	46.20 x 34.20 1173 x 869	46.5 x 34.50 1181 x 876	4	Quarter-turn	14.00 356
CSD483616SS6R	48.00 x 36.00 x 16.00 1219 x 914 x 406	14	14	CP4836	CP4836G	46.20 x 34.20 1173 x 869	46.5 x 34.50 1181 x 876	4	Quarter-turn	14.00 356
CSD603616SSR	60.00 x 36.00 x 16.00 1524 x 914 x 406	14	14	CP6036	CP6036G	58.20 x 34.20 1478 x 869	58.50 x 34.50 1486 x 876	4	Quarter-turn	17.00 432
CSD603616SS6R	60.00 x 36.00 x 16.00 1524 x 914 x 406	14	14	CP6036	CP6036G	58.20 x 34.20 1478 x 869	58.50 x 34.50 1486 x 876	4	Quarter-turn	17.00 432
CSD723016SSR	72.00 x 30.00 x 16.00 1829 x 762 x 406	14	14	CP7230	CP7230G	70.20 x 28.20 1783 x 716	70.50 x 28.50 1791 x 724	4	Quarter-turn	23.00 584
CSD723016SS6R	72.00 x 30.00 x 16.00 1829 x 762 x 406	14	14	CP7230	CP7230G	70.20 x 28.20 1783 x 716	70.50 x 28.50 1791 x 724	4	Quarter-turn	23.00 584
CSD723616SSR	72.00 x 36.00 x 16.00 1829 x 914 x 406	14	14	CP7236	—	70.20 x 34.20 1783 x 869	70.50 x 34.50 1791 x 876	4	Quarter-turn	23.00 584
CSD603624SSR	60.00 x 36.00 x 24.00 1524 x 914 x 610	14	14	CP6036	CP6036G	58.20 x 34.20 1478 x 869	58.50 x 34.50 1486 x 876	4	Quarter-turn	17.00 432
CSD603624SS6R	60.00 x 36.00 x 24.00 1524 x 914 x 610	14	14	CP6036	CP6036G	58.20 x 34.20 1478 x 869	58.50 x 34.50 1486 x 876	4	Quarter-turn	17.00 432

Purchase panels separately.

Optional NEMA style steel and stainless steel panels require conversion kit catalog number CCPM-4.

Catalog numbers ending in 6R are Type 316L stainless steel.



### Notes