

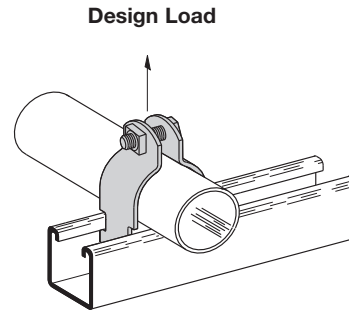
STAINLESS STEEL FITTINGS

Most fittings, as shown in this catalog, can be supplied in Type 304 or Type 316 stainless steel. See “Fittings” section (page 72) of this catalog.
Consult factory for possible minimum production quantities and set-up charges.

B2000 SERIES PIPE AND TUBING CLAMPS

- Safety Factor of 5
- Combination Recess Hex Head Machine Screw and Square Nut included
- Material: Stainless Steel Type 304 & 316

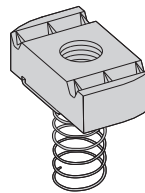
Part No.	Conduit Pipe Size	Material Thickness	Design Load		Wt./C	
			Lbs.	kN	Lbs.	kg
B2001 SS4	3/8" (10)	16 Ga. (1.5)	400	(1.78)	10	(4.5)
B2008 SS4	1/2" (15)	16 Ga. (1.5)	400	(1.78)	11	(5.0)
B2009 SS4	3/4" (20)	14 Ga. (1.9)	600	(2.67)	15	(6.8)
B2010 SS4	1" (25)	14 Ga. (1.9)	600	(2.67)	16	(7.2)
B2011 SS4	1 1/4" (32)	14 Ga. (1.9)	600	(2.67)	20	(9.1)
B2012 SS4	1 1/2" (40)	12 Ga. (2.6)	800	(3.56)	30	(13.6)
B2013 SS4	2" (50)	12 Ga. (2.6)	800	(3.56)	34	(15.4)
B2014 SS4	2 1/2" (65)	12 Ga. (2.6)	800	(3.56)	38	(17.2)
B2015 SS4	3" (80)	12 Ga. (2.6)	800	(3.56)	44	(19.9)
B2016 SS4	3 1/2" (90)	12 Ga. (2.6)	1000	(4.45)	51	(23.1)
B2017 SS4	4" (100)	12 Ga. (2.6)	1000	(4.45)	55	(24.9)
B2018 SS4	4 1/2" (115)	12 Ga. (2.6)	1000	(4.45)	59	(26.7)
B2019 SS4	5" (125)	12 Ga. (2.6)	1000	(4.45)	64	(29.0)
B2020 SS4	6" (150)	12 Ga. (2.6)	1000	(4.45)	80	(36.3)



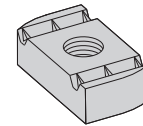
CHANNEL NUTS

- For Channel Nuts pull-out strength and slip resistance, use the data shown in “Channel Nuts & Hardware” section of this catalog.

Note: Reduce slip load by 50% due to hardness of material.



SPRING NUT



NUT WITHOUT SPRING

NUTS FOR B22, B24, B32 CHANNELS

Part Number		Thread Size	Thickness		Wt./C	
With Spring	Without Spring				Lbs.	kg
N224SS6	N224WOSS6	1/4"-20	1/4"	(6.3)	6.6	(3.0)
N228SS6	N228WOSS6	3/8"-16	3/8"	(9.5)	10.6	(4.8)
N225SS6	N225WOSS6	1/2"-13	3/8"	(9.5)	9.7	(4.4)

NUTS FOR B42, B52, B54 CHANNELS

Part Number		Thread Size	Thickness		Wt./C	
With Spring	Without Spring				Lbs.	kg
N524SS6	N224WOSS6	1/4"-20	1/4"	(6.3)	6.6	(3.0)
N528SS6	N228WOSS6	3/8"-16	3/8"	(9.5)	10.6	(4.8)
N525SS6	N225WOSS6	1/2"-13	3/8"	(9.5)	9.7	(4.4)

Reference page 176 for general fitting specifications. Other channel combinations available—see steel section for styles.